

# Wheelock RSS & RSSP Series

## Single & Multi-Candela Strobes & Strobe Plates



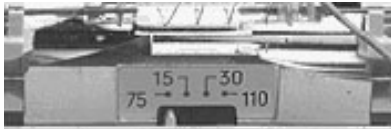
Series  
RSS



Series  
RSSP



RSS  
Round



Multi-Candela Indicator  
(bottom of Strobe Lens)

### Description

Wheelock's patented Series RSS Strobe Appliances and Series RSSP Strobe Plates have lower current draw while maintaining outstanding performance, reliability and cost effectiveness. These versatile appliances will satisfy virtually all requirements for indoor, wall or ceiling mount applications.

Strobe options for wall mount models include 15/75 or Wheelock's Patented MCW multi-candela strobe with field selectable candela settings of 15/30/75/110cd, Ceiling mount models include the patented MCC multi-candela ceiling strobe with field selectable intensities of 15/30/75/95cd or the high intensity MCCH strobe with field selectable 115/177cd.

All models may be synchronized when used in conjunction with the Wheelock **SM**, **DSM** Sync Modules or Power Supplies with Wheelock's Patented Sync Protocol. Synchronized strobes can eliminate possible restrictions on the number of strobes in the field of view. Wheelock's synchronized strobes offer an easy way to comply with ADA recommendations concerning photosensitive epilepsy as well as meeting the requirements of NFPA 72.

Wheelock's Series RSS Strobes employ a Patented Integral Strobe Mounting Plate that can be mounted to a single gang, double gang, 4" square, 100mm European backboxes or the SHBB surface backbox. If the flush backbox has side or top space between it and the finished wall, the **NATP** (No-

tification Appliance Trimplate) may be used. It provides an additional .65" of trim for the Appliance. An attractive cover plate is provided for a clean, finished appearance on all models.

The Series RSSP Multi-Candela Strobe Plates are a cost effective way to retrofit required wall strobe appliances to bells, horns, chimes, multitones or speakers and easily mounts to standard 4" backboxes or for surface mount use with Wheelock's SBL2 surface backbox.

### General Notes

- RSS/RSSP Series strobe products are listed under UL 1971 for indoor use with a temperature range of 32°F to 120°F (0°C to 49°C) and maximum humidity of 93% (± 2%).
- **"Regulated voltage range"** is the newest terminology used by UL to identify the voltage range. Prior to this change, UL used the terminology "Listed voltage range."

### Features

- Wall mount Multi-Candela models are available with Field Selectable Candela Settings of 15/30/ 75/ 110cd or 135/185cd. Single Candela models are available in 15/75cd
- Ceiling mount Multi-Candela models are available with field selectable candela settings of 15/ 30/75/95cd or 115/177cd.
- Strobes produce 1 flash per second over the regulated voltage range
- 12 and 24 VDC models with wide UL "Regulated Voltage" using filtered (DC) or unfiltered VRMS input voltage
- Synchronize with Wheelock SM, DSM or Power Supplies with built-in sync protocol
- ADA/NFPA/UFC/ANSI compliant. Meets OSHA 29 Part 1910.165

### Listings

Listings and approvals below apply to the basic Wheelock RSS & RSSP Series Single and Multi-Candela Strobes and Strobe Plates. In some cases, certain modules may not be listed by certain approval agencies, or listing may be in process. Consult factory for latest listing status.

- UL Listed: file S5391.
- ULC Listed: file CS356.
- FM Approved.
- MEA approved: file 151-92-E Vol XIX, XX (Vol. XXIV - RSS-24MCW-FR, -FW).
- CSFM approved: file 7125-0785:141



## Engineer's Specifications

The visual notification appliances shall be Wheelock Series RSS Strobe Appliances or approved equals. The Series RSS shall meet and be listed for UL Standard 1971 (Emergency Devices for the Hearing-Impaired) for Indoor Fire Protection Service. The strobe shall be listed for indoor use and shall meet the requirements of FCC Part 15 Class B. The strobe appliances shall produce a flash rate of one (1) flash per second over the Regulated Voltage Range and shall incorporate a Xenon flash-tube enclosed in a rugged Lexan® lens. All inputs shall be compatible with standard reverse polarity supervision of circuit wiring by a Fire Alarm Control Panel (FACP). When Strobe Plates are to be installed, they shall be the Wheelock Series RSSP Strobe Plate and shall have the same electronic circuitry as the Wheelock Series RSS.

The Series RSS Strobe shall be of low current design. Where Multi-Candela appliances are specified, the strobe intensity shall have field selectable settings and shall be rated per UL Standard 1971 at 15/30/75/110cd or 135/185cd for wall mount and 15/30/75/95cd or 115/177cd for ceiling mount. The selector switch for selecting the candela shall be tamper resistant. The 15/75 candela strobe shall be specified when 15 candela UL Standard 1971 Listing with 75 candela on axis is required (e.g. ADA compliance).

When synchronization is required, the appliance shall be compatible with Wheelock's SM, DSM Sync Modules or a Power Supply with built-in Patented Wheelock Sync Protocol. The strobes shall not drift out of synchronization at any time during operation. If the sync module or Power Supply fails to operate, (i.e., contacts remain closed), the strobe shall revert to a non-synchronized flash rate. The strobes shall be designed for indoor surface of flush mounting.

The Series RSS Strobe Appliances shall incorporate a Patented, Integral Strobe Mounting Plate that shall allow mounting to single-gang, double-gang, 4-inch square, 100mm European type backboxes, or the SHBB Surface Backbox. If required, an NATP (Notification Appliance Trimplate) shall be provided. An attaching cover plate shall be provided to give the Appliance an attractive appearance. The Appliance shall not have any mounting holes or screw heads visible when the installation is completed.

The Series RSSP Multi-Candela or single candela Strobe Plate shall mount to either a standard 4 inch square backbox for flush mounting, or the Wheelock SBL2 backbox for surface mounting.

All notification appliances shall be backward compatible. NOTE: Due to continuous development of our products, specifications and offerings are subject to change without notice in accordance with Wheelock, Inc. standard terms and conditions.

Wheelock products must be used within their published specifications and must be PROPERLY specified, applied, installed, operated, maintained and operationally tested in accordance with their installation instructions at the time of installation and at least twice a year or more often and in accordance with local, state and federal codes, regulations and laws. Specification, application, installation, operation, maintenance and testing must be performed by qualified personnel for proper operation in accordance with all of the latest National Fire Protection Association (NFPA), Underwriters' Laboratories (UL), National Electrical Code (NEC), Occupational Safety and Health Administration (OSHA), local, state, county, province, district, federal and other applicable building and fire standards, guidelines, regulations, laws and codes including, but not limited to, all appendices and amendments and the requirements of the local authority having jurisdiction (AHJ).

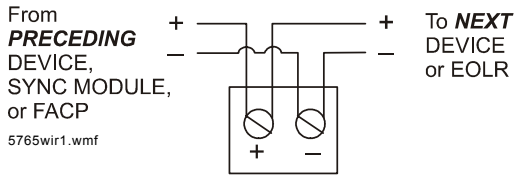
### **! WARNING!** CONTACT WHEELOCK

**FOR THE CURRENT "INSTALLATION INSTRUCTIONS" AND "GENERAL INFORMATION" SHEET (P82380) ON THESE PRODUCTS. THESE DOCUMENTS UNDERGO PERIODIC CHANGES. IT IS IMPORTANT THAT YOU HAVE CURRENT INFORMATION ON THESE PRODUCTS. THESE MATERIALS CONTAIN IMPORTANT INFORMATION THAT SHOULD BE READ PRIOR TO SPECIFYING OR INSTALLING THESE PRODUCTS, INCLUDING:**

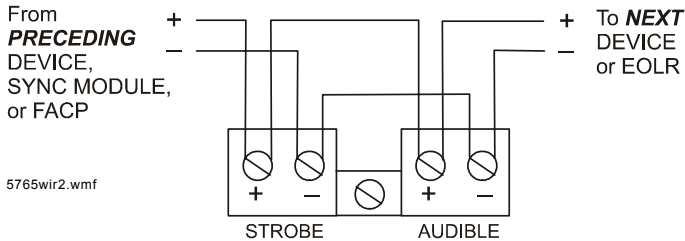
- TOTAL CURRENT REQUIRED BY ALL APPLIANCES CONNECTED TO SYSTEM SECONDARY POWER SOURCES.
- FUSE RATINGS ON NOTIFICATION APPLIANCE CIRCUITS TO HANDLE PEAK CURRENTS FROM ALL APPLIANCES ON THOSE CIRCUITS.
- ADDING, REPLACING OR CHANGING APPLIANCES OR CHANGING CANDELA SETTINGS WILL AFFECT CURRENT DRAW. RECALCULATE CURRENT DRAW TO INSURE THAT THE TOTAL AVERAGE CURRENT AND TOTAL PEAK REQUIRED BY ALL APPLIANCES DO NOT EXCEED THE RATED CAPACITY OF THE POWER SOURCE OR FUSES.
- COMPOSITE FLASH RATE FROM MULTIPLE STROBES WITHIN A PERSON'S FIELD OF VIEW.
- THE VOLTAGE APPLIED TO THESE PRODUCTS MUST BE WITHIN THEIR "REGULATED VOLTAGE RANGE".
- INSTALLATION OF 110 CANDELA STROBE PRODUCTS IN SLEEPING AREAS.
- INSTALLATION IN OFFICE AREAS AND OTHER SPECIFICATION AND INSTALLATION ISSUES.
- USE STROBES ONLY ON CIRCUITS WITH CONTINUOUSLY APPLIED OPERATING VOLTAGE. DO NOT USE STROBES ON CODED OR INTERRUPTED CIRCUITS IN WHICH THE APPLIED VOLTAGE IS CYCLED ON AND OFF AS THE STROBES MAY NOT FLASH.
- FAILURE TO COMPLY WITH THE INSTALLATION INSTRUCTIONS OR GENERAL INFORMATION SHEETS COULD RESULT IN IMPROPER INSTALLATION, APPLICATION, AND/OR OPERATION OF THESE PRODUCTS IN AN EMERGENCY SITUATION, WHICH COULD RESULT IN PROPERTY DAMAGE AND SERIOUS INJURY OR DEATH TO YOU AND/OR OTHERS.
- CONDUCTOR SIZE (AWG), LENGTH AND AMPACITY SHOULD BE TAKEN INTO CONSIDERATION PRIOR TO DESIGN AND INSTALLATION OF THESE PRODUCTS, PARTICULARLY IN RETROFIT INSTALLATIONS.

# Wiring Diagram

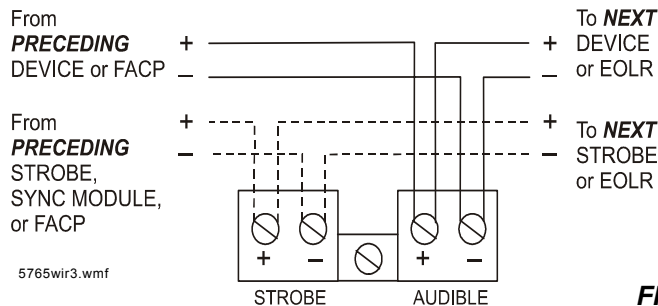
**FIGURE 1: RSS/RSSP device.**



**FIGURE 2: Strobe/plate assembly with audible and visible operating in unison.**

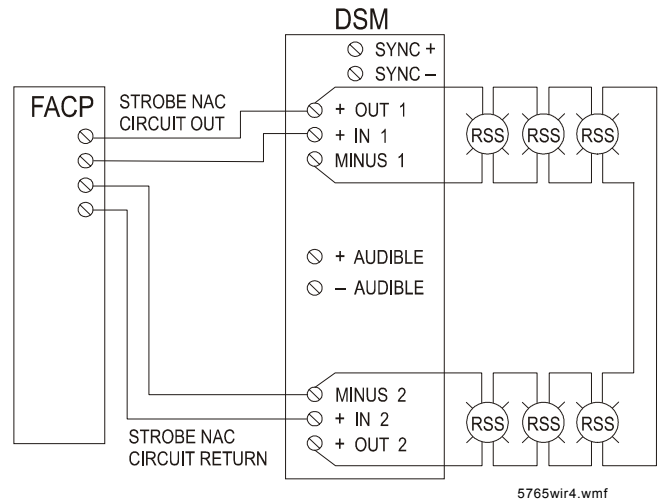


**FIGURE 3: Strobe/plate assembly with audible and visible operating independently.**

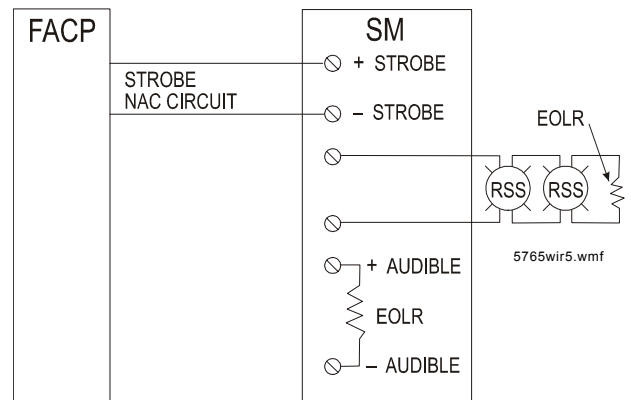


For details on using SM or DSM Sync Modules Installation instructions #P83123 (for SM) or #P83177 (for DSM).

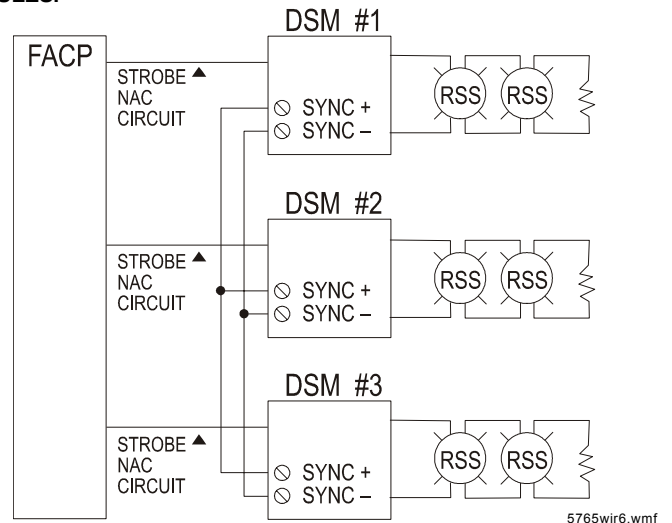
**FIGURE 4: RSS/RSSP devices synchronized with DSM Module; single Class "A" NAC circuit.**



**FIGURE 5: RSS/RSSP devices synchronized with SM Module single Class "B" NAC circuit.**



**FIGURE 6: RSS/RSSP devices synchronized with multiple DSM Modules. INTERCONNECTING WIRING SHOWN. MAXIMUM OF TWENTY (20) DSM MODULES.**



# WARNING!

PLEASE READ THESE SPECIFICATIONS AND ASSOCIATED INSTALLATION INSTRUCTIONS CAREFULLY BEFORE USING, SPECIFYING OR APPLYING THIS PRODUCT. FAILURE TO COMPLY WITH ANY OF THE FOLLOWING INSTRUCTIONS, CAUTIONS AND WARNINGS COULD RESULT IN IMPROPER APPLICATION, INSTALLATION AND/OR OPERATION OF THESE PRODUCTS IN AN EMERGENCY SITUATION, WHICH COULD RESULT IN PROPERTY DAMAGE, AND SERIOUS INJURY OR DEATH TO YOU AND/OR OTHERS.

SYNC MODELS/POWER SUPPLY			
MODEL NUMBER	INPUT VOLTAGE (VDC)	AVERAGE MEAN CURRENT @ 24 VDC	MOUNTING OPTIONS
SM-12/24-R	24	.028	W
DSM-12/24-R	24	.035	W

SM Sync Module is rated for 3.0 amperes @ 24 VDC.

DSM Sync Module is rated for 3.0 amperes per circuit. The maximum number of interconnected DSM modules is twenty (20). Refer to Data Sheet S3000 or Installation Instructions P83123 for SM and P83177 for DSM.

## Ordering Information

MODEL	WALL/CEILING MOUNT	NON-SYNC	SYNC W/ SM, DSM	STROBE CANDELA	12/24 VDC	# MODEL COLOR RED/WHITE	MOUNTING OPTIONS***	SQUARE OR ROUND	AGENCY APPROVALS				
									UL	MEA	CSFM	FM	BFP
RSS-24MCW-FR	Wall	X	X	15/30/75/110	24	Red	B,D,E,F,G,H,J,N,O,R,X	Square	X	X	X	X	X
RSS-24MCW-FW	Wall	X	X	15/30/75/110	24	White	B,D,E,F,G,H,J,N,O,R,X	Square	X	X	X	X	X
RSS-241575W-FR	Wall	X	X	15 (75 on Axis)	24	Red	B,D,E,F,G,H,J,N,O,R,X	Square	X	X	X	X	X
RSS-121575W-FR	Wall	X	X	15 (75 on Axis)	12	Red	B,D,E,F,G,H,J,N,O,R,X	Square	X	X	X	X	X
RSS-24MCC-FR	Ceiling	X	X	15/30/75/95	24	Red	B,D,E,F,G,H,J,N,O,R,X	Square	X	*	X	*	*
RSS-24MCC-FW	Ceiling	X	X	15/30/75/95	24	White	B,D,E,F,G,H,J,N,O,R,X	Square	X	*	X	*	*
RSS-24MCCR-FW	Ceiling	X	X	15/30/75/95	24	White	B,D,E,F,G,H,J,N,O,R,X	Round	X	*	X	*	*
RSS-24MCCH-FW	Ceiling	X	X	115/ 177	24	White	B,D,E,F,G,H,J,N,O,R,X	Square	X	*	*	*	*
RSS-24MCCH-FR	Ceiling	X	X	115/ 177	24	Red	B,D,E,F,G,H,J,N,O,R,X	Square	X	*	*	*	*
RSS-24MCCHR-FW	Ceiling	X	X	115/ 177	24	White	B,D,E,F,G,H,J,N,O,R,X	Round	X	*	*	*	*
RSSWP-2475W-FR*	Wall	X	X	75 @ -31°F	24	Red	B,D,E,F,G,H,J,N,O,R,X	Square	X	X	X	X	*
RSSP-121575W-FR	Wall	X	X	15 (75 on Axis)	12	Red	B,D,E,F,G,H,J,N,O,R,X	Square	X	X	X	X	X
RSSP-24MCW-FR	Wall	X	X	15/30/75/110	24	Red	D,E,Z	Square	X	X	X	X	X
RSSP-241575W-FR	Wall	X	X	15 (75 on Axis)	12	Red	D,E,Z	Square	X	X	X	X	X

\*\*\* Refer to mounting options data sheet.

RSS/RSSP 24VDC Models	RSS/RSS - Wall Mount					RSS - Ceiling Mount					
	241575W	24MCW				24MCC			24MCCH		
	15/75cd	15cd	30cd	75cd	110cd	15cd	30cd	75cd	95cd	115cd	177cd
16 vdc	0.101	0.062	0.102	0.192	0.265	0.068	0.112	0.211	0.292	0.300	0.420
<b>24 vdc</b>	<b>0.064</b>	<b>0.41</b>	<b>0.065</b>	<b>0.116</b>	<b>0.155</b>	<b>0.045</b>	<b>0.072</b>	<b>0.128</b>	<b>0.171</b>	<b>0.195</b>	<b>0.270</b>
33 vdc	0.047	0.032	0.047	0.081	0.107	0.035	0.052	0.089	0.118	0.145	0.190

RSS/RSSP 24 VDC Models	RSS/RSSP Wall Mount
	121575W
8 vdc	0.336
<b>12 vdc</b>	<b>0.179</b>
17.5 vdc	0.136

\*Average RMS Current is per UL average RMS method and Average Mean Current is per UL average mean method. 12 volt models use average mean current.

For rated In Rush and Peak current across the UL listed voltage range for both filtered DC and unfiltered VRMS (FWR), see installation instructions.

Product	Series
Multitone Appliances	AMT, MT
Horns	AH, NH, HS
Motor Bells	MB-G6/G10
Speakers	ET-1010/1080, E70, ET70
Chimes	CH70

Specifications and wiring information are provided for information only and are believed to be accurate. Gamewell assumes no responsibility for their use. Data and design are subject to change without notice. Installation and wiring instructions shipped with the product shall always be used for actual installation. For more information, contact Gamewell.



A Honeywell Company

### The Gamewell Company

12 Clintonville Road  
Northford, CT 06472-1610  
Phone: 203-484-7161  
Fax: 203-484-7118  
www.gamewell.com

A Honeywell Company  
© 2004 Gamewell